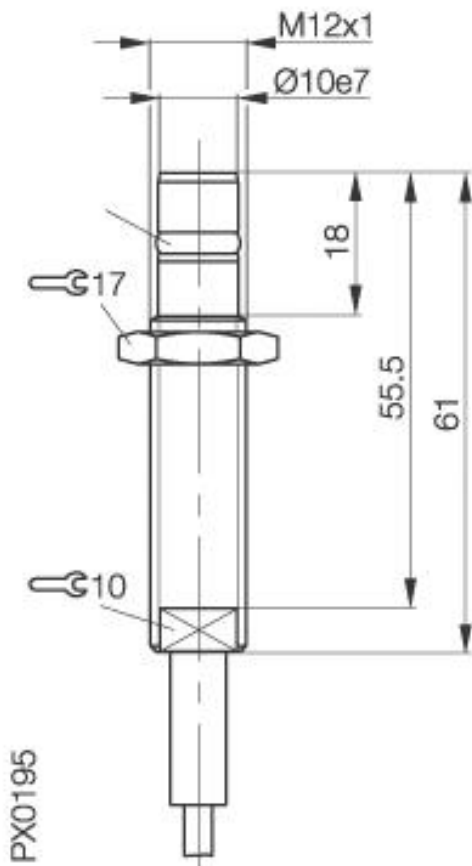


**Inductive Sensors**  
**BES 516-300-S 135-D-PU-05**  
**M12x1 x 61**  
**normally-open**  
**Sn=1,5mm**  
**shielded**  
**pressure rated to 500 bar**



**Common Data**

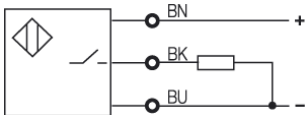
Mounting in steel	shielded
Rated operating distance Sn	1,5mm
Assured operating distance Sa	0...1.2mm
Repeatability R	≤ 5%
Hysteresis	≤ 15%
Ambient temperature range	-25...+80°C
Polution Degree	3
Time delay before availability	≤ 10ms
Particular characteristics	pressure rated to 500 bar

**Mechanical Data**

Measurements BxHxT or DxT	M12x1 x 61mm
Housing material	1.4104
Material of sensing face	EP (Duroplast)
Degree of protection	IP68 acc. BWN Pr 20IP
Connection	Cable
Cable type	LifY-11Y-O
Schock: Halfsinus, 30 gn, 11ms	
Vibration: 55 Hz, 1mm Amplitude, 3 x 30 Minutes	

**Electrical Data**

Current type	DC
Wiring	3-Wire
switching function	normally-open
Output signal	PNP
Rated operational voltage	24 DCV
Rated operational current	200mA
Supply voltage	10...30 DCV
Ripple	≤ 15%
max. switching frequency	1000Hz
No-load supply current	≤ 10/≤ 1mA
Off-state current	≤ 10µA
Voltage drop	≤ 1.5/-V
Short circuit protection	yes
Protected against polarity reversal	yes



Utilization categories  
 Insulation class

DC 13

Datasheet number:

Definitions see general catalog.  
 If not otherwise noted, ratings according to  
 IEC 60947-5-2 (DIN EN60947-5-2)

Balluff GmbH  
 Schurwaldstrasse 9  
 73765 Neuhausen a.d.F.  
 Phone (07158) 173-0 Fax (07158) 5010

Datenblatt by CD-ROM - 04/2007

**BALLUFF**  
 sensors worldwide